



MARINE SOLUTIONS

 MADE IN ITALY

 **REGGIANA
RIDUTTORI**
PLANETARY REDUCTION **GEARS**



YOUR MARINE PARTNER

PLANETARY DRIVES FOR THE MARINE INDUSTRY

With 50 years of engineering experience, Reggiana Riduttori is one of the world's leading companies **in the design and manufacture of gearboxes for a wide variety of power transmission applications in the marine industry.** To ensure that the highest standards in engineering, quality and production are always met, our products are 100% manufactured in our headquarters in Italy.

Durability, reliability and strength are the leading values that drive the RR team while designing and manufacturing units for port cranes, off-shore cranes, material handling, boat thrusters and deck material installations.



Con 50 anni di esperienza ingegneristica, Reggiana Riduttori è uno dei leader mondiali nella progettazione e produzione di trasmissioni di potenza che trovano ampia applicazione nel settore marino e offshore.

Per assicurare che i più alti standard ingegneristici, produttivi e qualitativi siano sempre garantiti, i nostri prodotti sono interamente lavorati nei nostri stabilimenti di San Polo d'Enza (RE).

Resistenza, durevolezza e affidabilità sono le caratteristiche su cui ci siamo orientati per la progettazione e produzione di riduttori per **argani, gru portuali, verricelli, piattaforme off-shore, movimentazione materiali, propulsori e carico scarico merci.**

DNV GL TYPE APPROVAL CERTIFICATION

100% MANUFACTURED IN ITALY

RELIABILITY AND DURABILITY

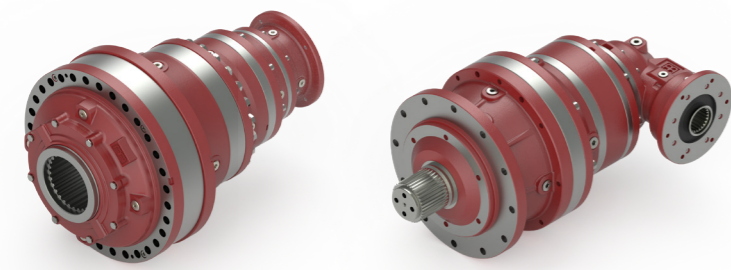
READY TO RUN ELECTRIC





COMPLETE RANGE
UP TO **10.000.000 NM**

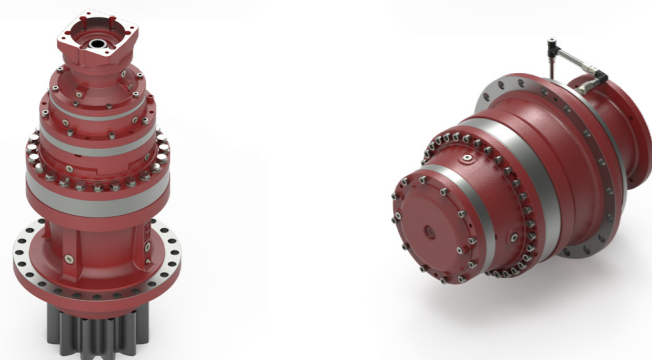
DEDICATED HOISTING
AND **SWING DRIVES**



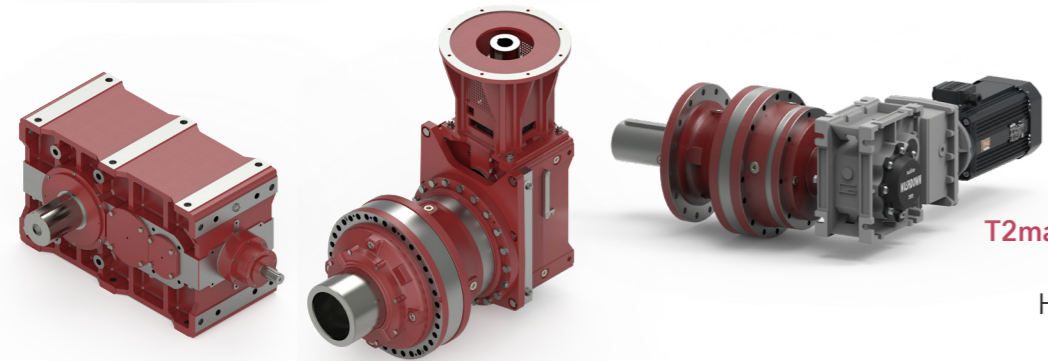
RR/RA
T_{2max} Nm=1,200-10,000,000
Ratio=3.4-5061
Modular planetary reduction gears.



RRTD/RRWD
T_{2max} Nm=1,000-50,000
Ratio=5-179
Compact planetary drives.



RR...FF/RR...W
T_{2max} Nm=1.200-230.000
Ratio=3,4-2500
Slewing drives.
T_{2max} Nm=10,000-1,100,000
Ratio=12-860
Winch drives.



P/RH/RV & Combined
T_{2max} Nm=2.500-4.300.000
Ratio=1,12-5061
Helical and bevel helical line, combined units.



Electric motor arrangement available.

MODEL	T _{2,FEM} [NM]	RATIO	MIN INNER DRUM DIAMETER [MM]	WEIGHT KG
AR300	1.680	6,09	190	30
AR800 D	4.800	22 + 53	220	60
AR1000 D	4.950	23 + 40	220	57
AR1700 T	11.000	64 + 179	280	115
AR2400 T	15.220	61 + 166	300	150
AR3600 T	24.860	67 + 161	320	140
AR5000 T	28.400	73 + 146	350	178

FEM M5 (T5-L2), n=15 rpm

MODEL	T _{2,FEM} [NM]	RATIO	MIN INNER DRUM DIAMETER [MM]	WEIGHT KG
RR3200 L3W	39.000	65 + 189	410	265
RR5200 L3W	61.000	70 + 176	470	370
RR6500 L3W	78.000	62 + 185	550	550
RR10000 L3W	116.000	64 + 147	580	790
RR15000 L3W	169.000	64 + 147	645	1030
RR20000 L4W	234.000	258 + 1180	750	1600
RR25000 L4W	316.000	267 + 915	850	2200
RR40000 L4W	460.000	267 + 864	910	3100
RR55000 L4W	660.000	274 + 805	1020	4400

FEM M5 (T5-L2), n=15 rpm

MODEL	T _{2,FEM} [NM]	RATIO	PINION MODULE	MAX RADIAL LOAD [N]
RR1800	17800 + 25800	13 + 2212	10 + 14	530.000
RR2500	23100 + 38800	15 + 2495	14 + 18	595.000
RR3200	29000 + 49700	16 + 2005	14 + 18	595.000
RR4000	40000 + 57900	16 + 1910	16 + 20	1.107.000
RR5200	51800 + 75700	16 + 1803	16 + 20	1.107.000
RR6500	74100 + 97300	16 + 2064	18 + 22	992.000
RR8000	73400 + 104300	17 + 1695	20 + 24	1.142.000
RR10000	101200 + 136400	17 + 1600	20 + 24	1.142.000



MARINE APPLICATIONS

OFFSHORE & DECK CRANES

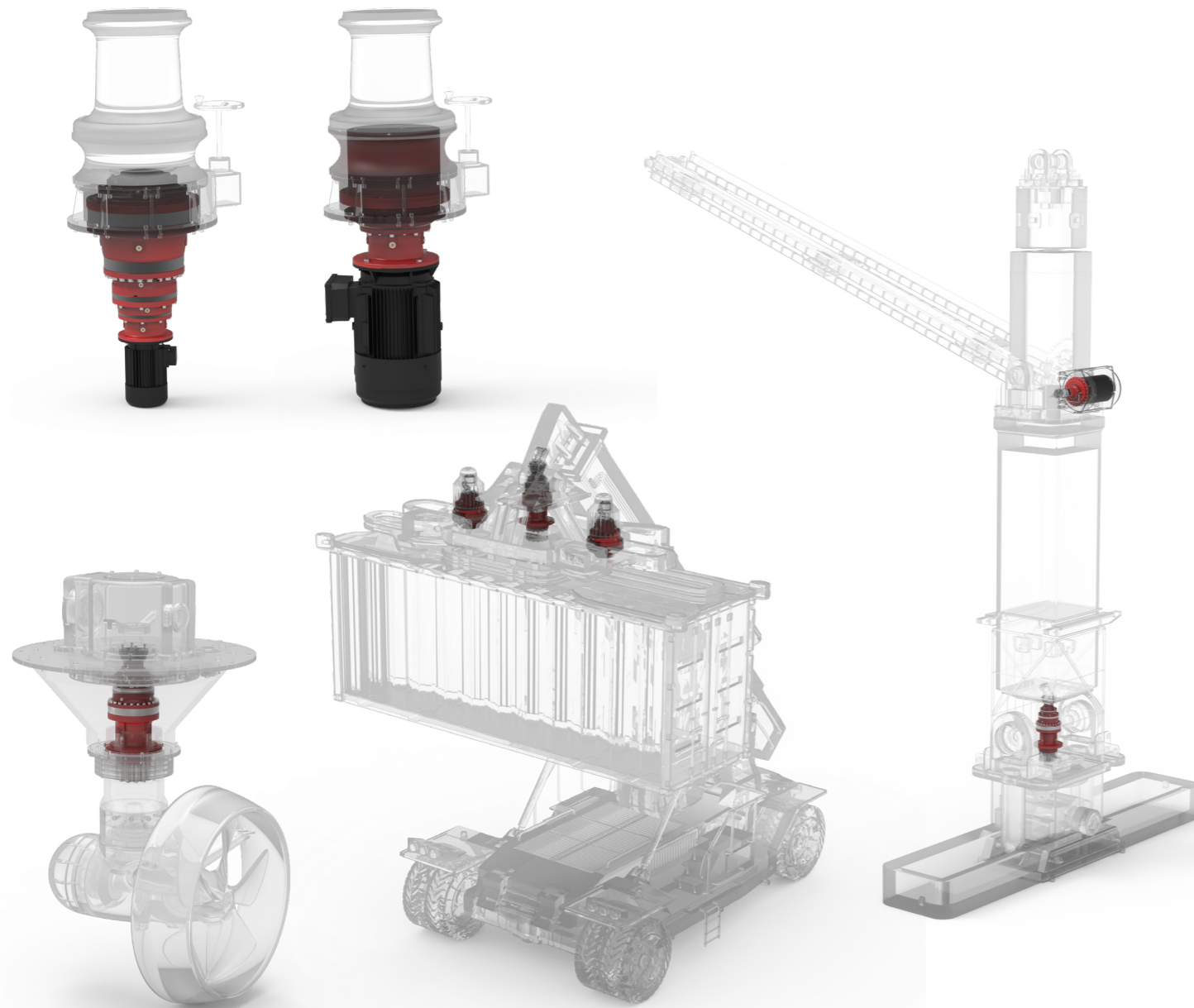
CAPSTANS

THRUSTERS

DECK MATERIAL EQUIPMENTS

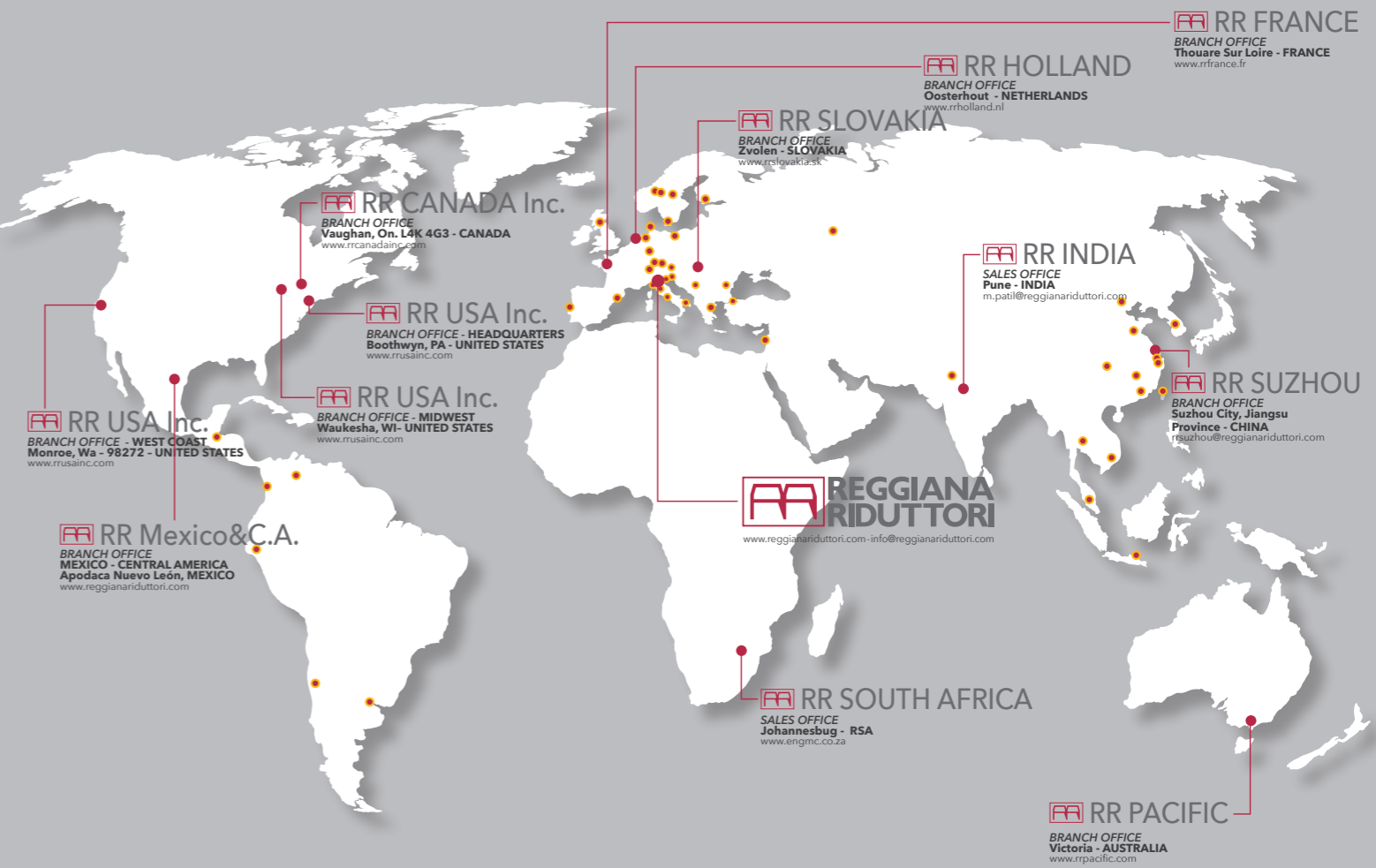
CONTAINER REACH STACKER

WINCHES



GLOBAL SALES NETWORK

- MASTER DISTRIBUTOR
- BRANCH



www.reggianariduttori.com

REGGIANA RIDUTTORI S.r.l.

Via Martiri di Marzabotto,7
42020 - S. Polo d'Enza (RE) - ITALY
tel. +39.0522.259111 - fax +39.0522.874321
info@reggianariduttori.com



A member of



is a brand of Reggiana
Riduttori Srl

 **REGGIANA
RIDUTTORI**
PLANETARY REDUCTION **GEARS**