



MADE IN ITALY



For 50 years we have been passionately dedicating ourselves to producing planetary gears and wheel gears made entirely in Italy. Reggiana Riduttori is a member of Interpump Group.

SOLUTIONS FOR  
FEED MIXERS AND BIOGAS PLANTS









# D

## OUR DRIVES FOR FEED MIXERS AND BIOGAS PLANTS

With over 50 years of engineering experience in the agricultural market, Reggiana Riduttori has developed a dedicated line of **planetary gearboxes for the rotation of the feed mixers and biogas plants.**

These rugged units are easily installed on wagons, selfpropelled and stationary machines for feeding and biogas operations.

All our gearboxes are produced with European top-quality materials before being assembled and tested at our headquarters in Italy.

Our range of planetary gearboxes provide high performances output with compact dimensions and generous peak torque capabilities while maintaining a compact foot print.

Our modular design, comprehensive ratio availability and customizable configurations enable Reggiana Riduttori to realise the most suitable solution for our customers.

*Con oltre 50 anni di esperienza ingegneristica nel mercato agricolo, Reggiana Riduttori ha sviluppato una linea dedicata di riduttori epicicloidali per carri miscelatori e impianti biogas.*

*Queste robuste unità sono facilmente installabili su carri, macchine semoventi e fisse.*

*Tutti i nostri riduttori sono prodotti con materiali europei di prima qualità prima di essere assemblati e testati presso la nostra sede in Italia.*

*La nostra gamma offre prestazioni elevate con dimensioni compatte e generose capacità di coppia di picco pur mantenendo un ingombro ridotto.*

*Il design modulare, la disponibilità di rapporti completi e le configurazioni personalizzabili consentono alla Reggiana Riduttori di realizzare la soluzione più adatta al cliente.*



### OPTIMIZED

COMPACT DESIGN

### LOWER FUEL COST,

INCREASED PRODUCTIVITY

### MADE ONLY

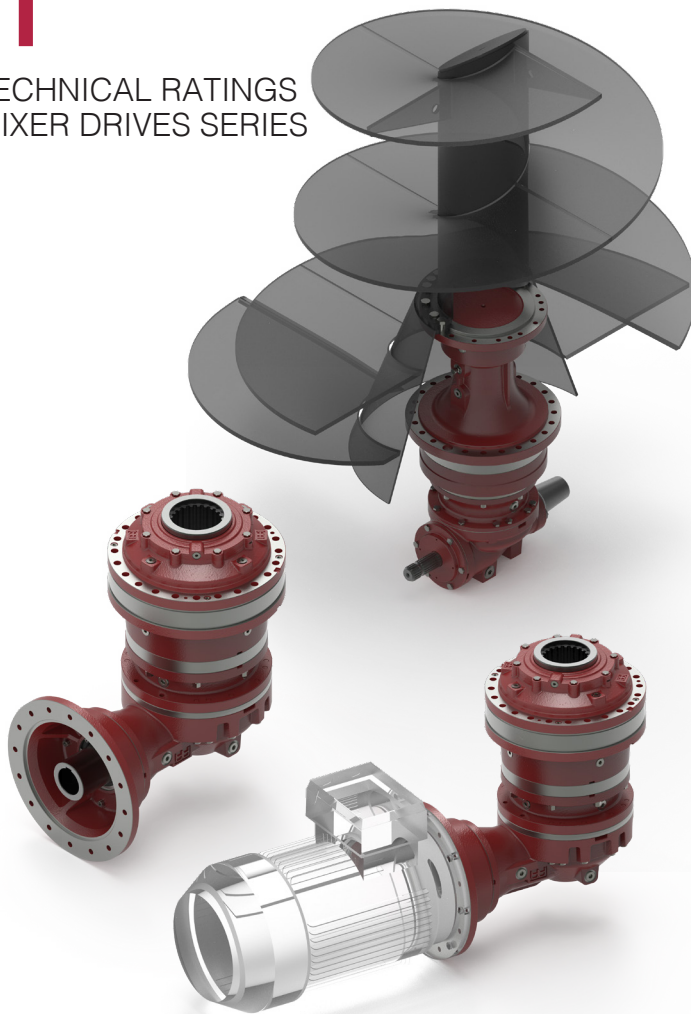
WITH TOP QUALITY ALLOYED STEELS

### TAYLOR-MADE

SOLUTIONS

# T

## TECHNICAL RATINGS MIXER DRIVES SERIES



## HYDRAULIC AND ELECTRIC SYNCHRONIZED MIXERS DRIVES

Our independent or synchronized mixerdrives are available with hydraulic and electric motor connections. The modular design permits additional pre-reduction stages to be added ahead of our right-angle section. The pre-stage allows for greater ratio flexibility for auger speed control.

Our right-angle drives are also available with double PTO shaft, in order to drive an additional gearbox on dual screw designs.

GEARBOX MODEL	MIXER TYPE	TECHNICAL FEATURES			
		Continuous Torque T <sub>2</sub> Nm	Maximum Torque T <sub>2max</sub> Nm	Input speed n <sub>1</sub> rpm	RATIO
RR1680 A2 VI FL	TRAILER	11000 - 14500	13600 - 19500	540/1000	11.58 - 16.47
RR1800 A2 ZI FL	TRAILER	13900 - 21600	30000	540/1000	14.49 - 23.30
RR1800 A3 ZI FL	TRAILER	16500 - 22000	30000	540/1000	15.60 - 43.84
RR2100 A2 ZI FL					
SUPPORT D.380	TRAILER	20850 - 24500	31000	540/1000	15.66 - 19.10
RR2100 A2 ZI FL					
SUPPORT D.385	TRAILER	20850 - 24500	31000	540/1000	15.66 - 19.10
RR2100 A3 ZI FL	TRAILER	20600 - 24500	37000	540/1000	16.56 - 42.07
RR3200 A3 ZI FL	TRAILER/BIOGAS	30900 - 40200	62000	540/1000	24.80 - 42.31
RR5200 A3 ZI FL	TRAILER/BIOGAS	59400 - 52400	92000	540/1000	60.46 - 112.81
RR1800 A3 ZI FL	STATIONARY	16700	30000	1500	42.00 - 85.80
RR2100 A3 ZI FL	STATIONARY	19000	37000	1500	48.93 - 92.38
RR3200 A3 ZI FL	STATIONARY/BIOGAS	30000	62000	1500	43.64 - 90.22
RR5200 A3 ZI FL	STATIONARY/BIOGAS	45000	92000	1500	44.40 - 118.12



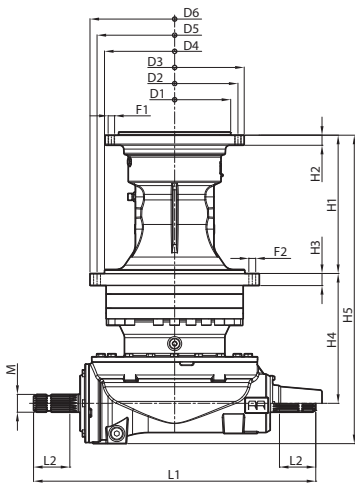
GEARBOX MODEL	MIXER TYPE	DIMENSIONS [mm]																
		Ø D1	Ø D2	Ø D3	F1	Ø D4	Ø D5	Ø D6	Ø D6	H1	H2	H3	H4	H5	L1	L2	M	
RR1680 A2 VI FL	TRAILER	160 h8	195	225	M16 n°12	280 f7	314	340	Ø15.5 n°24	321	25	85	254,5	674,5	575	90	1"3/4-Z20	
RR1800 A2 ZI FL	TRAILER	278 h8	314	345	M16 n°20	348 f7	385	420	Ø17 n°23	343	25	30	322	765	700	90	1"3/4-Z20	
RR1800 A3 ZI FL	TRAILER	278 h8	314	345	M16 n°20	348 f7	385	420	Ø17 n°23	343	25	30	393	836	540	90	1"3/4-Z20	
RR2100 A2 ZI FL																		
SUPPORT D.380	TRAILER	278 h8	314	345	M16 n°20	350 f7	380	420	Ø17 n°23	343	25	30	322	765	700	90	1"3/4-Z20	
RR2100 A2 ZI FL																		
SUPPORT D.385	TRAILER	278 h8	314	345	M16 n°20	348 f7	385	420	Ø17 n°23	343	25	30	322	765	700	90	1"3/4-Z20	
RR2100 A3 ZI FL	TRAILER	278 h8	314	345	M16 n°20	348 f7	385	420	Ø17 n°23	343	25	30	393	835	575	90	1"3/4-Z20	
RR3200 A3 ZI FL	TRAILER	170 f7	300	343	M20 n°18	-	460	503 h9	Ø22 n°12	423,5	35	30	523,5	1046	575	90	1"3/4-Z20	
RR5200 A3 ZI FL	TRAILER	170 f7	300	335	M20 n°18	Ø20 n°3	460 f7	510	555	Ø22 n°24	380	35	30	500	981	700	110	1"3/4-Z20
RR1800 A3 ZI FL	STATIONARY	278 h8	314	345	M16 n°20	348 f7	385	420	Ø17 n°23	343	25	30	310,5	-	-	-	-	
RR2100 A3 ZI FL	STATIONARY	278 h8	314	345	M16 n°20	348 f7	385	420	Ø17 n°23	343	25	30	350,5	-	-	-	-	
RR3200 A3 ZI FL	STATIONARY	170 f7	300	343	M20 n°18	-	460	503 h9	Ø22 n°12	423,5	35	30	444,5	-	-	-	-	
RR5200 A3 ZI FL	STATIONARY	170 f7	300	335	M20 n°18	Ø20 n°3	460 f7	510	555	Ø22 n°24	380	35	30	480	-	-	-	

GEARBOX MODEL	MIXER TYPE	INPUT INTERFACE	
RR1680 A2 VI FL	TRAILER	PTO	1"3/4-Z20
RR1800 A2 ZI FL	TRAILER	PTO	1"3/4-Z20
RR1800 A3 ZI FL	TRAILER	PTO	1"3/4-Z20
RR2100 A2 ZI FL	TRAILER	PTO	1"3/4-Z20
SUPPORT D.380	TRAILER	PTO	1"3/4-Z20
RR2100 A2 ZI FL	TRAILER	PTO	1"3/4-Z20
SUPPORT D.385	TRAILER	PTO	1"3/4-Z20
RR2100 A3 ZI FL	TRAILER/STATIONARY	PTO	1"3/4-Z20
RR3200 A3 ZI FL	TRAILER/STATIONARY	PTO	1"3/4-Z20
RR5200 A3 ZI FL	STATIONARY	PTO	1"3/4-Z20
RR1800 A3 ZI FL	STATIONARY	SAE/IEC/CYL	from B setup
RR2100 A3 ZI FL	STATIONARY/BIOGAS	SAE/IEC/CYL	from B setup
RR3200 A3 ZI FL	STATIONARY/BIOGAS	SAE/IEC/CYL	from C setup
RR5200 A3 ZI FL	STATIONARY/BIOGAS	SAE/IEC/CYL	from C setup

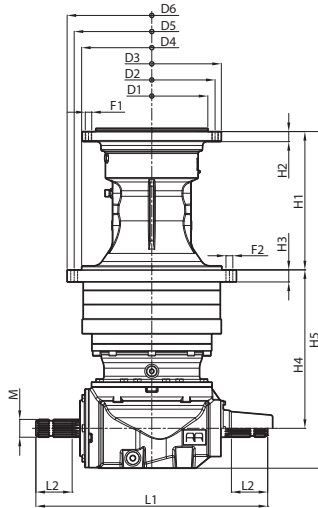
# T

## TECHNICAL RATINGS MIXER DRIVES SERIES

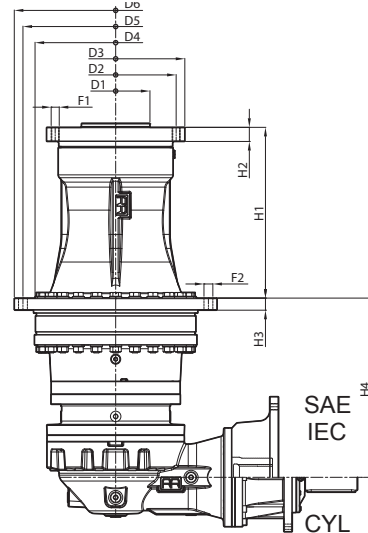
**TRAILER MIXER DRIVE A2  
PTO INPUT**



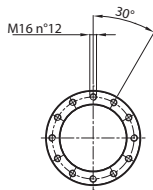
**TRAILER MIXER DRIVE A3  
PTO INPUT**



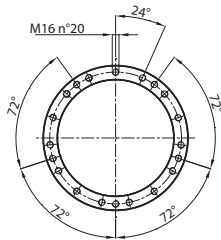
**STATIONARY MIXER DRIVE A3  
SAE/IEC/CYL INPUT**



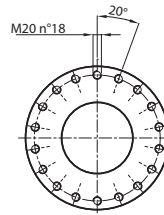
**OUTPUT FLANGE INTERFACE**



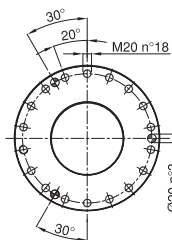
**RR1680**



**RR1800/2100**

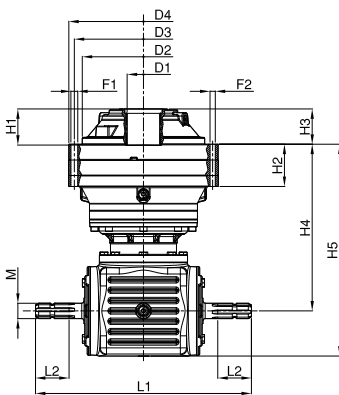


**RR3200**

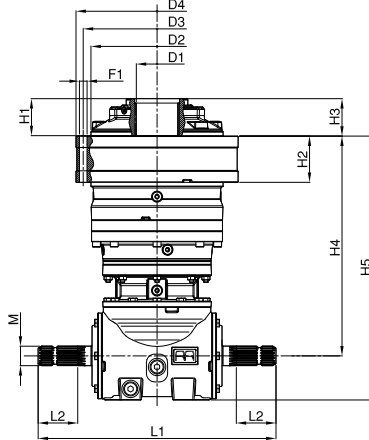


**RR5200**

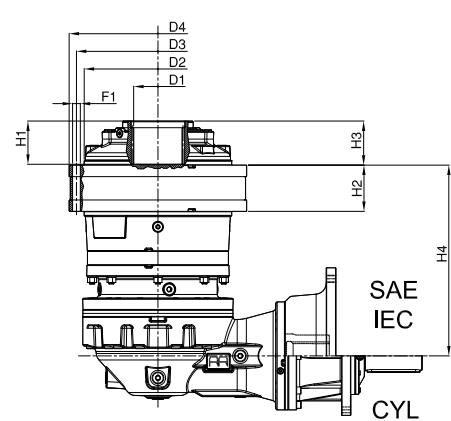
**TRAILER MIXER DRIVE  
RR1800 A3  
PTO INPUT**



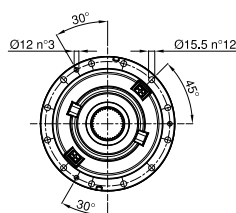
**TRAILER MIXER DRIVE  
RR2500 - RR3200 A3  
PTO INPUT**



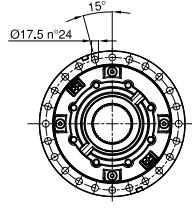
**STATIONARY MIXER DRIVE  
A3  
SAE/IEC/CYL INPUT**



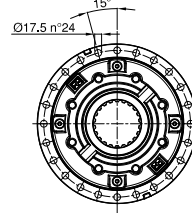
**OUTPUT FLANGE INTERFACE**



**RR1800**

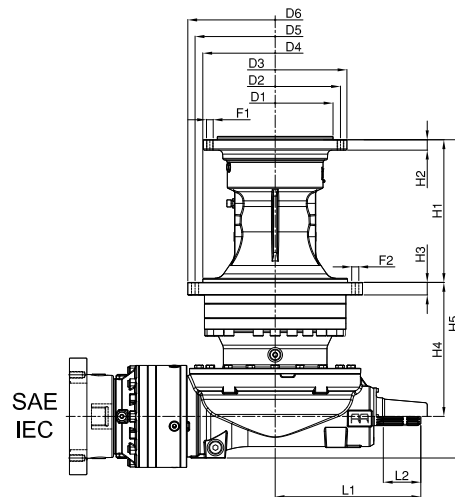
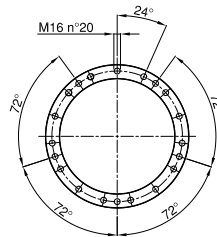


**RR2500**



**RR3200**



**SELF PROPELLED MIXER DRIVE A2  
PTO INPUT**

**OUTPUT FLANGE INTERFACE**

**RR1800 - RR2100**

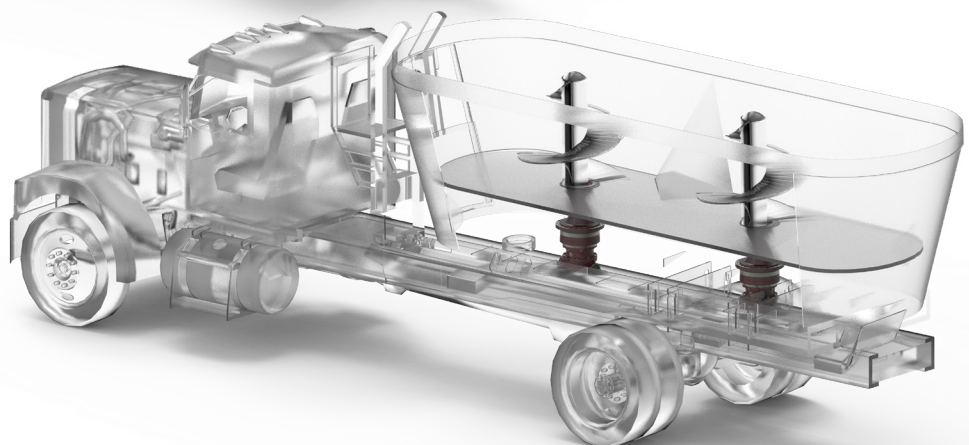
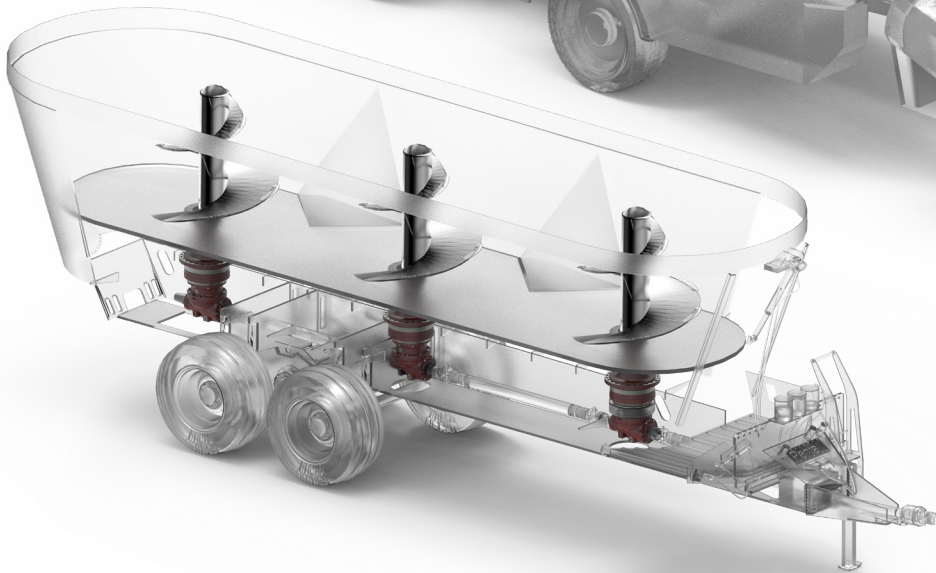
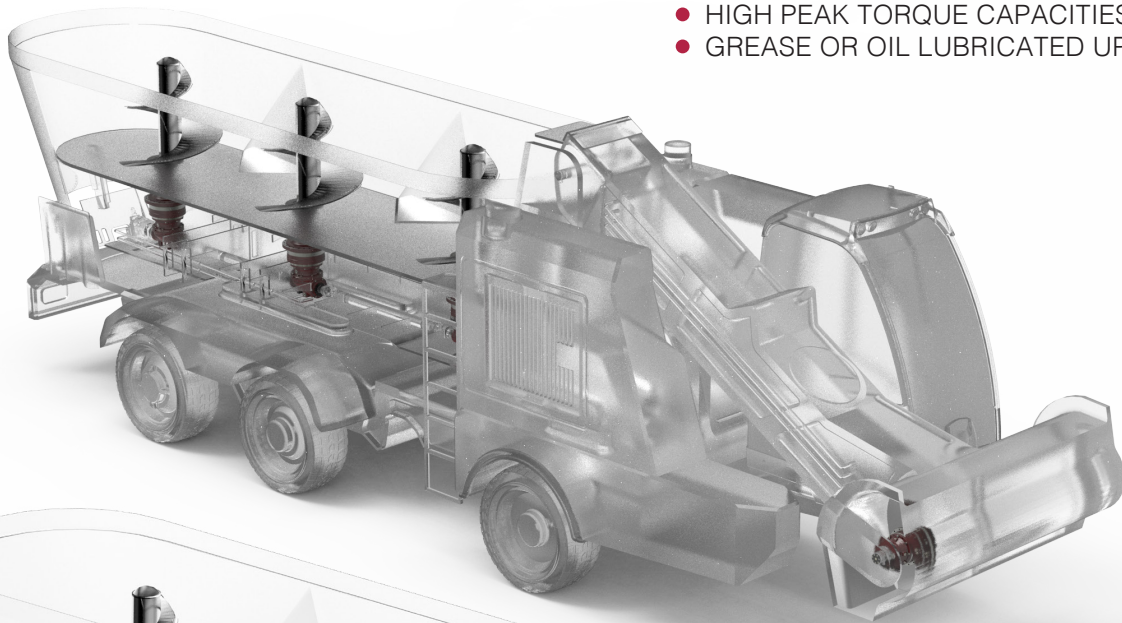
GEARBOX MODEL	MIXER TYPE	TECHNICAL FEATURES			
		Continuous Torque Nm	Maximum Torque Nm	Input speed n1 rpm	RATIO
RR1800 A2 ZI FL	SELF PROPELLED	10700	30000	1500	133,48
RR2100 A2 ZI FL					62.73 -
SUPPORT D.380	SELF PROPELLED	22800 - 23600	31000	1500	86.25
RR2100 A2 ZI FL					62.73 -
SUPPORT D.385	SELF PROPELLED	22800 - 23600	31000	1500	86.25

GEARBOX MODEL	MIXER TYPE	DIMENSIONS [mm]															
		Ø D1	Ø D2	Ø D3	F1	Ø D4	Ø D5	Ø D6	Ø D6	H1	H2	H3	H4	H5	L1	L2	M
RR1800 A2 ZI FL	SELF PROPELLED	278 h8	314	345	M16 n°20	348 f7	385	420	Ø17 n°23	343	25	30	322	765	350	90	1"3/4-Z20
RR2100 A2 ZI FL																	
SUPPORT D.380	SELF PROPELLED	278 h8	314	345	M16 n°20	350 f7	380	420	Ø17 n°23	343	25	30	322	765	350	90	1"3/4-Z20
RR2100 A2 ZI FL																	
SUPPORT D.385	SELF PROPELLED	278 h8	314	345	M16 n°20	348 f7	385	420	Ø17 n°23	343	25	30	322	765	350	90	1"3/4-Z20

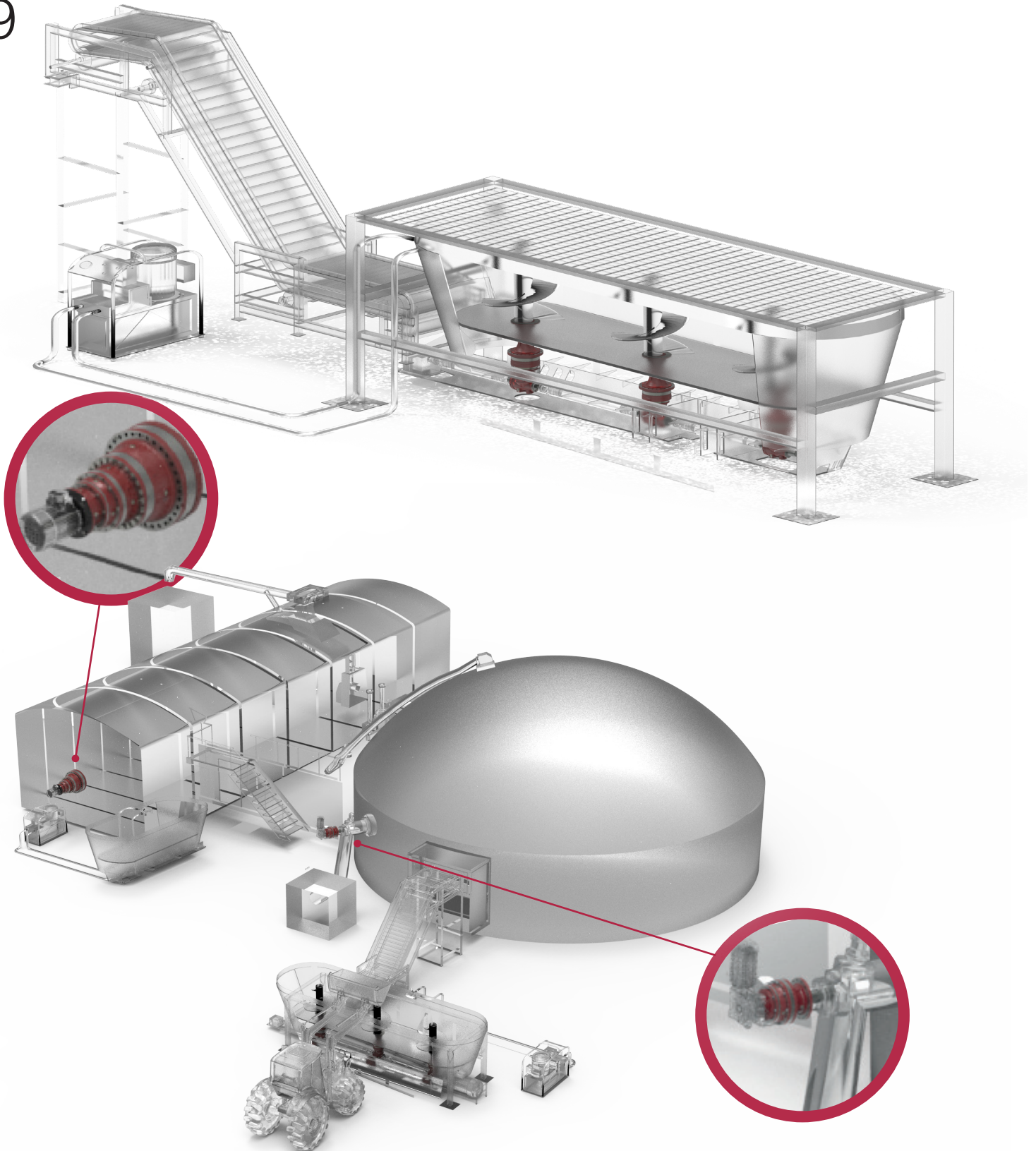
# M

## MAIN FEATURES AND APPLICATIONS

- WIDE RANGE OF RATIOS
- LABYRINTH SEAL PROTECTION
- EASY MAINTENANCE
- HIGHEST CLEANING SPEED
- MIXING UP TO 22 M<sup>3</sup> ON SINGLE SCREW
- MODULAR DESIGN
- ELECTRIC AND HYDRAULIC MOTOR CONNECTIONS AVAILABILITY
- HIGH PEAK TORQUE CAPACITIES
- GREASE OR OIL LUBRICATED UPPER BEARINGS







SELF  
PROPELLED  
FEED  
MIXERS

TRUCK  
MOUNTED  
FEED  
MIXERS

TRAILER  
FEED  
MIXERS

BIOGAS  
PLANT  
MIXERS







# Global Sales Network



- Branch
- Master Distributor



www.reggianariduttori.com  
info@reggianariduttori.com



**Headquarter**

Via Martiri di Marzabotto 7  
42020 S.Polo D'Enza (RE)  
Reggio Emilia, Italy  
REGGIANARIDUTTORI.COM

Ph. +39 0522 259111  
Fax +39 0522 874321  
info@reggianariduttori.com  
PEC: reggianariduttori@legalmail.it



A member of

